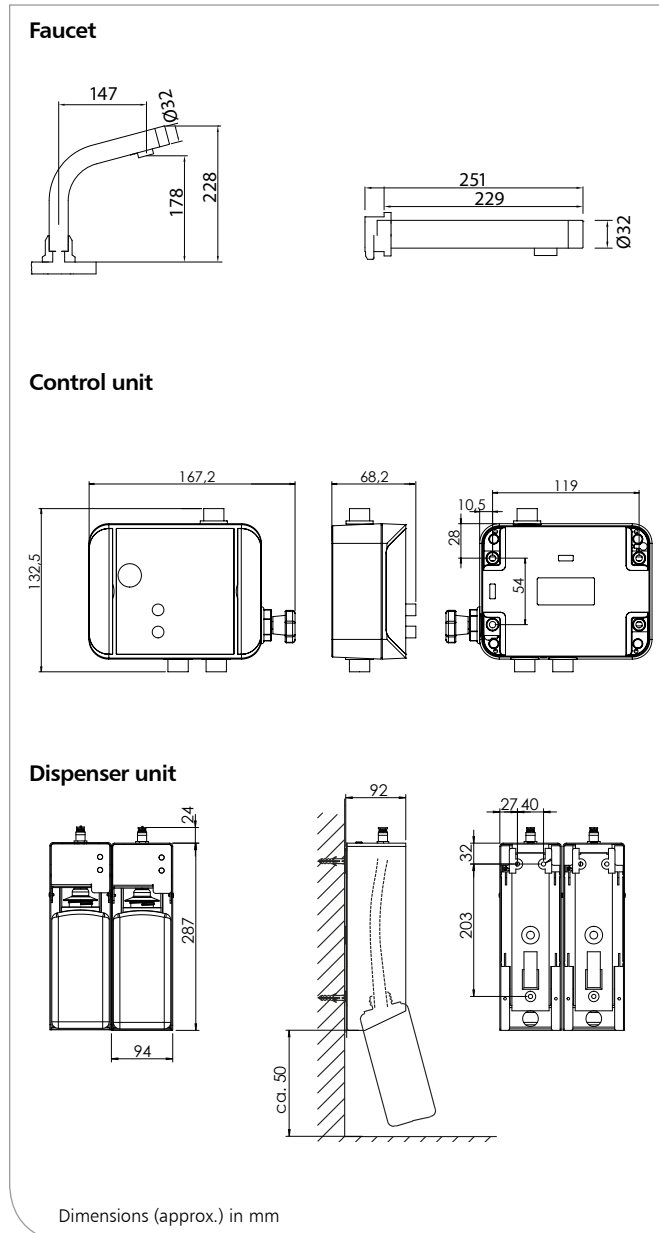


the untouchable™

Multifunctional touchless faucet for water, soap and sanitizer, 1000 ml



Product characteristics

- ▶ Multifunctional, touchless faucet with integrated dispenser for dosing of one or more filling goods, like alcohol-based sanitizers, liquid soaps etc,
- ▶ For 1000 ml disposable bottles, as well as refillable containers
- ▶ Manual water temperature adjustment
- ▶ Automatic hygiene flush, 24 hours after last activation, to prevent the build-up of bacteria
- ▶ Water savings of up to 70%, compared to manually operated faucet
- ▶ Simple container unit exchange without having to remove the dispenser from the wall

Interesting information

References: ▶ doctors' practices, health and care facilities, laboratories, commercial kitchens, foodstuffs industry, etc.

Application examples:

- ▶ Particularly well suited to areas with limited space, e.g. dental practices

Technical data

Faucet: Stainless steel, brushed, Wall- or Counter Mount Model
 Control unit: Plastic, wall mounting with 4 screws and wall plugs
 Dispenser unit: Aluminium, anodised matt silver, wall mounting with 3 screws and wall plugs
 All materials comply with UBA and KTW guidelines
 Viable Water Pressure: 0.3 – 7 bar (operation only with normal pressure, not with low pressure)
 Water Flow Rate: approx. 7-20 Liters / Minute
 Maximum Water Temp: 70°C
 Constant Water
 Flow Time: 2 minutes (automatically shuts off to prevent water damage)
 Hygiene Flush/
 Rinse Time: 30 seconds in duration, whenever 24 hours have elapsed following last activation
 Power Supply: AC Power Adapter
 Valve Connection: G 3/8"
 Aerator: Neoperl self-cleaning aerator
 Filling bottles: 1000 ml one-way bottles

Dispensing:

- Water, 100 - 250 ml/second, depending on water pressure
- Soap, 1.5 ml/stroke
- Disinfectant, 1.0 ml/activation

Energy Consumption:

- Standby-mode: 0.2 Watt
- Water-mode: 7.2 Watt

Description for tender - see overleaf

the untouchable™

Multifunctional touchless faucet for water, soap and sanitizer, 1000 ml

Description for tender

... Pcs. ***the untouchable*™ mwsd-d**
Art. No. 5400007
touchless operated, counter mount-faucet for dosing water, liquid soaps and sanitizer, activation by two IR sensors on the discharge head (gesture control), automatic LED function display at the spout (blue = water, green = soap, red = sanitizer), shapely robust material made of brushed high-quality AISI 316 stainless steel, bent design, self-cleaning aerator, automatic hygiene rinsing 24 hours after the last water flow, universal filling with standard disposable bottles and from refillable containers, scope of delivery: fitting with sensors and connecting hoses, digital control unit, 2 separate modules, including pump electronics (ingo-man®), standard ingo-man® bottles 1000 ml (also refillable), aluminium housing with separate wall adapters, mounting set, power supply unit 230V AC to 12 V DC / 1A, instruction manual

... Pcs. ***the untouchable*™ mwsd-w**
Art. No. 5400008
touchless operated, wall mount-faucet for dosing water, liquid soaps and sanitizer, activation by two IR sensors on the discharge head (gesture control), automatic LED function display at the spout (blue = water, green = soap, red = sanitizer), shapely robust material made of brushed high-quality AISI 316 stainless steel, straight design, self-cleaning aerator, automatic hygiene rinsing 24 hours after the last water flow, universal filling with standard disposable bottles and from refillable containers, scope of delivery: fitting with sensors and connecting hoses, digital control unit, 2 separate modules, including pump electronics (ingo-man®), standard ingo-man® bottles 1000 ml (also refillable), aluminium housing with separate wall adapters, mounting set, power supply unit 230V AC to 12 V DC / 1A, instruction manual

... Pcs. ***the untouchable*™ mw-d**
Art. No. 5400003
touchless operated, counter mount-faucet for dosing water, activation by two IR sensors on the discharge head (upper sensor = water on/off for continuous flow, lower sensor = water automatically on/off hand washing), shapely robust material made of brushed high-quality AISI 316 stainless steel, bent design, self-cleaning aerator, automatic hygiene rinsing 24 hours after the last water flow
scope of delivery: fitting with sensors and connecting hoses, digital control unit, mounting set, power supply unit 230V AC to 12 V DC / 1A, instruction manual

... Pcs. ***the untouchable*™ mw-w**
Art. No. 5400004
touchless operated, wall mount-faucet for dosing water, activation by two IR sensors on the discharge head (upper sensor = water on/off for continuous flow, lower sensor = water automatically on/off hand washing), shapely robust material made of brushed high-quality AISI 316 stainless steel straight design, self-cleaning aerator, automatic hygiene rinsing 24 hours after the last water flow
scope of delivery: fitting with sensors and connecting hoses, digital control unit, mounting set, power supply unit 230V AC to 12 V DC / 1A, instruction manual

the untouchable™

Multifunctional touchless faucet for water, soap and sanitizer, 1000 ml

Description for tender

... Pcs. ***the untouchable*™ mws-d**
Art. No. 5400005
touchless operated, counter mount-faucet for dosing water and liquid soaps, activation by two IR sensors on the discharge head (gesture control), automatic LED function display at the spout (blue = water, green = soap), shapely robust material made of brushed high-quality AISI 316 stainless steel, bent design, self-cleaning aerator, automatic hygiene rinsing 24 hours after the last water flow, universal filling with standard disposable bottles and from refillable containers, scope of delivery: fitting with sensors and connecting hoses, digital control unit, 2 separate modules, including pump electronics (ingo-man®), standard ingo-man® bottles 1000 ml (also refillable), aluminium housing with separate wall adapters, mounting set, power supply unit 230V AC to 12 V DC / 1A, instruction manual

... Pcs. ***the untouchable*™ mws-w**
Art. No. 5400006
touchless operated, wall mount-faucet for dosing water and liquid soaps, activation by two IR sensors on the discharge head (gesture control), automatic LED function display at the spout (blue = water, green = soap), shapely robust material made of brushed high-quality AISI 316 stainless steel, straight design, self-cleaning aerator, automatic hygiene rinsing 24 hours after the last water flow, universal filling with standard disposable bottles and from refillable containers, scope of delivery: fitting with sensors and connecting hoses, digital control unit, 2 separate modules, including pump electronics (ingo-man®), standard ingo-man® bottles 1000 ml (also refillable), aluminium housing with separate wall adapters, mounting set, power supply unit 230V AC to 12 V DC / 1A, instruction manual

... Pcs. ***the untouchable*™ sd-d**
Art. No. 5400143
touchless operated, counter mount-faucet for dosing liquid soaps and sanitizer, activation by two IR sensors on the discharge head (gesture control), automatic LED function display at the spout (green = soap, red = sanitizer), shapely robust material made of brushed high-quality AISI 316 stainless steel, bent design, universal filling with standard disposable bottles and from refillable containers, scope of delivery: fitting with sensors and connecting hoses, digital control unit, 2 separate modules, including pump electronics (ingo-man®), standard ingo-man® bottles 1000 ml (also refillable), aluminium housing with separate wall adapters, mounting set, power supply unit 230V AC to 12 V DC / 1A, instruction manual

... Pcs. ***the untouchable*™ sd-w**
Art. No. 5400142
touchless operated, wall mount-faucet for dosing liquid soaps and sanitizer, activation by two IR sensors on the discharge head (gesture control), automatic LED function display at the spout (green = soap, red = sanitizer), shapely robust material made of brushed high-quality AISI 316 stainless steel, straight design, universal filling with standard disposable bottles and from refillable containers, scope of delivery: fitting with sensors and connecting hoses, digital control unit, 2 separate modules, including pump electronics (ingo-man®), standard ingo-man® bottles 1000 ml (also refillable), aluminium housing with separate wall adapters, mounting set, power supply unit 230V AC to 12 V DC / 1A, instruction manual

Product: ***the untouchable*™**
Manufacturer: OPHARDT HYGIENE-TECHNIK GmbH + Co. KG